



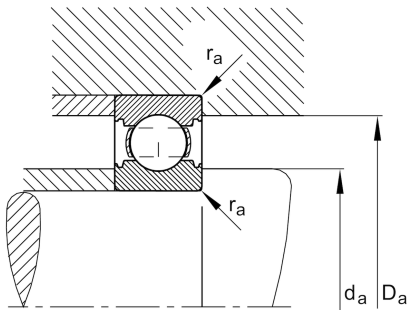
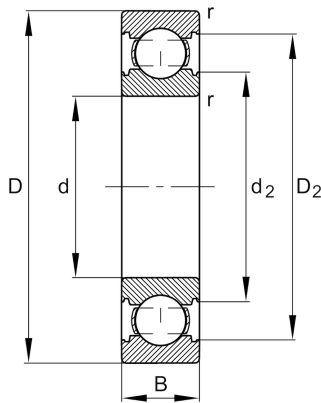
FAG

6002-C

Deep groove ball bearing

Schaeffler ID:
0957026440000Deep groove ball bearing 60..-C, single
row, Generation C, steel sheet metal cage

Technical information

**Dimensions**

r_{\min}	0.3 mm	Minimum chamfer dimension
D_2	28.8 mm	Caliber diameter outer ring
d_2	19.2 mm	Caliber diameter inner ring
	0.027 kg	Weight

Main Dimensions & Performance Data

d	15 mm	Bore diameter
D	32 mm	Outside diameter
B	9 mm	Width
C_r	6,300 N	Basic dynamic load rating, radial
C_{0r}	2,850 N	Basic static load rating, radial
C_{ur}	191 N	Fatigue load limit, radial
n_G	37,000 1/min	Limiting speed
n_{gr}	23,200 1/min	Reference speed

Mounting dimensions

$d_{a\min}$	17 mm	Minimum diameter shaft shoulder
$D_{a\max}$	30 mm	Maximum diameter of housing shoulder
$r_{a\max}$	0.3 mm	Maximum fillet radius

Calculation factors

f_0	14	Calculation factor
-------	----	--------------------

Temperature range

T_{\min}	-30 °C	Operating temperature min.
T_{\max}	120 °C	Operating temperature max.